

LEGEND

- LOUNGE CHAIR
- OUTDOOR FURNITURE
- CHAIR
- CHILD'S CHAIR
- TABLE
- CHILD'S TABLE



FURNITURE PLAN

LEGEND

- LOUNGE CHAIR
- OUTDOOR FURNITURE
- CHAIR
- CHILD'S CHAIR
- TABLE
- CHILD'S TABLE



WOOD BENCH

Original Timber

DESCRIPTION

QUANTITY: 5

SIZE:

(2) - 96"

(3) - 48"

STYLE:

LOCATION:

Corridor Ends All Levels

LEGS:

ARMS:



MILLBRAE CONTRACT - BENCH

Steelcase

DESCRIPTION

QUANTITY: 7

SIZE:

TWO-SEAT BENCH - 26"D x 52"W x 16.5"H (6)

TWO-SEAT SOFA - 35"D x 64"W x 28.75"H (1)

STYLE:

TWO-SEAT BENCH - COMFLB2 (6)

TWO-SEAT SOFA- COMSL2 (1)

LOCATION:

RM 147 - Marketplace Books in Saddle Faux (4)

RM 206 - Teen Homework in Charteuse (2)

RM 323 - Lib Dir. Office in Saddle Faux (1)

LEGS:

BRUSHED NICKEL 9238

ARMS: NONE

UPHOLSTERY:

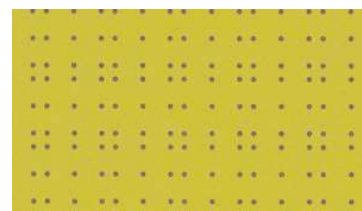
DY31 SADDLE FAUX

LEATHER DESTINY

15-0000209



DESIGN TEX - LITTLE DOT -
CHARTREUSE 3524-501



READER'S CHAIR - KRUSIN SIDE CHAIR

Knoll Inc.

DESCRIPTION

QUANTITY: 142**SIZE:** 23.5"W x 21.75"D x 30.5"H**STYLE:**MK01CU: Armless Chair, Upholstery, Inset Back (70)
with StretchersMK01AU: Arm Chair, Upholstery, Inset Back (70)
with Stretchers**LOCATION:**

Level 2 & 3 - Public Reading Areas

FINISH:

LIGHT ASH

**ARMS:**(70) WITH ARMS
(70) ARMLESS**UPHOLSTERY:**KNOLL TEXTILE
- TINGE PATINA

HIGH DENSITY STACKER - OPT 4

KI. Inc.

DESCRIPTION

QUANTITY: 182**SIZE:** 19 3/4"W x 21 13/16"D x 32 3/16"H**STYLE:**

04PSMB - Sled Base - Poly Seat, Mesh Back

LOCATION:

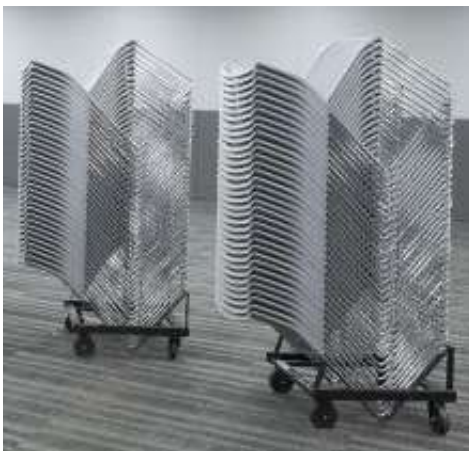
RM 202 - Community Meeting Room

FRAME: CH-CHROME **ARMS:** NONE**FINISH:**

04BL - BLACK

GLIDES:

GLIDES FOR WOOD FLOOR



TASK CHAIR - CLARITY TASK

All Steel



DESCRIPTION

QUANTITY: 118

SIZE: 19W" x 16 1/8"D x 15 1/8"-20 1/8"H

STYLE:

Task Chair Mesh w/ Arms: C5OMFC (96)

Task Chair Mesh Armless: C5AMFC (22)

LOCATION:

Service Counter: All Levels

RM 236 - Meeting Room C, RM 213 - Computer Lab,

RM 210 - Digital Learning Center, RM 208 - Video , RM 211 - Audio,

RM 223-225 Lib Office, RM 306 - Large Group Study, RM 315-320-
Study Room, & Admin Staff Offices

Level 2: Lime | Level 3: Clay

LEGS: POLISHED
ALUMINUM

ARMS/UPHOLSTERY:
MESH - CLAY/LIME

(12) LIME ARMLESS

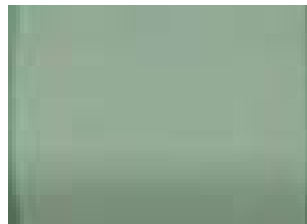
(47) LIME W/ ARMS

(10) CLAY ARMLESS

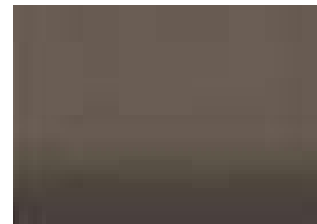
(49) CLAY W/ ARMS



LIME



CLAY



CAFE CHAIR - XYLON

KI



 DESCRIPTION

QUANTITY: 18**SIZE:** 16 7/8"W x 20 7/8"D x 33 1/8 "H**STYLE:** Stacking PXM - Four-Leg Metal Frame**LOCATION:**
RM 148/149 - Cafe**FINISH:**
BEECHWOOD**ARMS:** NONE**FRAME:**
BRIGHTNICKEL-CHROME
PLATING**UPHOLSTERY:** NONE**GLIDES:** FOR HARD FLOOR

BASYX - PERCH STOOL

Hon



DESCRIPTION

QUANTITY: 4

SIZE: 15.75"W x 16.5"D x 37.75"H Adj.

STYLE: HVLPERCH

LOCATION:

Service Counters: 1st and 2nd Floors

LEGS:

ARMS: NONE

UPHOLSTERY:
GREEN



COMPUTER CHAIR - STEELCASE CACHET

Steelcase



DESCRIPTION

QUANTITY: 48**SIZE: 16.4W" x 19.4"D x 34 1/4"-39. 1/4"H****STYLE:**
4871110 - Steelcase Cachet Work Chair w/
Arms**LOCATION:**
RM 207 - Public Computers

LEGS: POLISHED**ARMS: ALL. FLIP UP****FINISH: BLACK**

MULTI PURPOSE CHAIR - CAPER

Herman Miller, Inc.



DESCRIPTION

QUANTITY: 53**SIZE:**

Steel Leg: 24 1/4"W x 17 1/4"D x 32"H (103)

STYLE:

Stacking Chair - WC410 N MS Y7 TRQ/LMN/79

No Arms, Metallic Silver Legs, Acetal Glides for Carpet

LOCATION:

Staff Lounge (2 yellow, 2 green, 2 blue)

Homework RM - (12 yellow, 12 green, 8 blue)

Marketplace - (5 green, 10 blue)

LEGS:

WC410 - CHROME

ARMS:

WC410 - NO ARMS

WC410 FINISH:**TURQUOISE (TRQ)**

Quantity: 20

**LEMON (LMN)**

Quantity: 14

**GREEN APPLE (79)**

Quantity: 19



TEEN CHAIR - Doni Guest Chair
KI



DESCRIPTION

QUANTITY: 17

SIZE: 19 3/8"W x 21"D x 33.75"H (10)
19.25"W x 18.75"D x 30"Seat H (7)

STYLE: Doni - Tapered Wood Leg Base (10)
Solid Color, Polypropylene DNW100

KI Doni - 30" Cafe Stool (7)
Solid Color, Polypropylene DN4100H30

LOCATION:
RM 206 Teen Homework

LEGS: WOOD -
NATURAL ON BEECH
CHIP-WV-NATURAL



ARMS: NONE

FINISH: CUSTOM TO MATCH
PANTONE COLOR 617C



TEEN CHAIR - Ruckus Seating
KI



DESCRIPTION

QUANTITY: 10

SIZE: 22 3/10"W x 18 4/5"D x 16 7/10"H

STYLE: KI Ruckus 18" Seating
Stack Chair with Casters and Bookrack
Polypropylene 18" RKV100H18BR

LOCATION:
RM 206 Teen Homework

LEGS: CHROME

ARMS: NONE

RACK COLOR: BLACK

FINISH: CUSTOM TO MATCH
PANTONE COLOR 617C



BAR HEIGHT STOOL - TRILLA

Gunlocke



 DESCRIPTION

QUANTITY: 15**SIZE:**

Counter Height: 17 5/8"W x 17 5/8"D x 25 3/8"H (5)

Standard Height: 16 1/4"W x 16 1/4"D x 18 1/2"H (10)

STYLE: Trilla Stool

GMQA16-051 - Counter Height (5)

GMQA16-081 - Standard Height (10)

LOCATION:

RM 201 - Lobby @ Original Timer Table

RM310 - Reference Collection @ Original Timer Table

FINISH:

LIGHT CHERRY - SC701

ARMS: NONE

BAR HEIGHT STOOL - CONVO STOOL

Gunlocke



 DESCRIPTION

QUANTITY: 15

SIZE: COUNTER - 16 1/4"W x 16"D x 26 1/4"H (30)
 BAR - 16 1/4"W x 16"D x 30 1/2"H (19)

STYLE:

GMLA15-051 - COUNTER HEIGHT, SOLID ASH
 WOOD SEAT (3)

GMLA15-021 - BAR HEIGHT, SOLID ASH WOOD
 SEAT (12)

LOCATION:

RM 214 Copiers
 RM 220 - Staff Kitchen

LEGS: POLISHED
 STAINLESS

ARMS: NONE



MAKER SPACE STOOL - 600 SERIES STOOL

KI



DESCRIPTION

QUANTITY: 24**SIZE:** 19"-27"Adj. Ht.**STYLE:**

618BA - Steel Rimmed, Seat Backrest, Adj. Ht. 19"-27"

LOCATION:

RM 233 - Maker Space

LEGS: ADJUSTABLE**ARMS:** NONE**FINISH:** AZURE GREY

PITON STOOL**Knoll, Inc.**

DESCRIPTION

QUANTITY: 16**SIZE: 14.25"W x 14.25"D x 18"H****STYLE:**
Knoll Piton Stool**LOCATION:**
Level 2 & 3 - Atrium

LEGS: ADJUSTABLE ARMS: NONE**FINISH: STERLING**

KIK STEP - STEP STOOL

Cramer

DESCRIPTION

QUANTITY: 20

SIZE: 14 1/2"H

STYLE: Kik Step

LOCATION:

All Levels - Shelving

FINISH: SILVER



CHILD'S CHAIR - POLVER CHAIR

TMC



DESCRIPTION

QUANTITY: 48

SIZE:

18"W x 16"D x 23 1/2"H (12)

18"W x 17"D x 27 1/2"H (36)

STYLE:

SPLC11312- 12" H CHILD'S POLVER in Mango (12)

SPLC11316 - 16" H CHILD'S POLVER in French Blue (36)

LOCATION:

Level 1 - Children's

FINISH: MOLDED
PLYWOOD

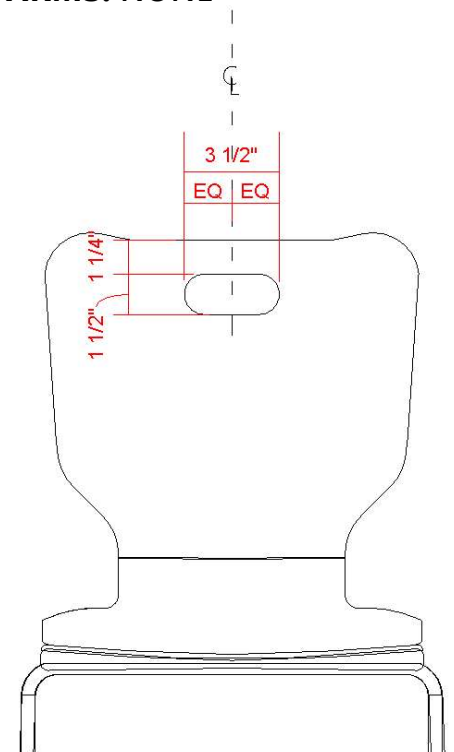
ARMS: NONE

COLORS:

MANGO (12)



FRENCH BLUE (36)



CHILD'S ADJUSTABLE HEIGHT STOOL - Tom & Jerry

Herman Miller, Inc.

DESCRIPTION

QUANTITY: 13**SIZE:** BASE: 16.5"W x 19"D

HEIGHT: 19.75" - 26"H

SEAT: 13.5" ROUND

STYLE: MGTJ20.J - Jerry, Adjustable Height Stool**LOCATION:**

RM 111 - Children's Homework

RM 114 Children's Marketplace/ Media

FRAME FINISH:

YNL - NATURAL

JOINT SCREW FINISH:

YBP - WHITE



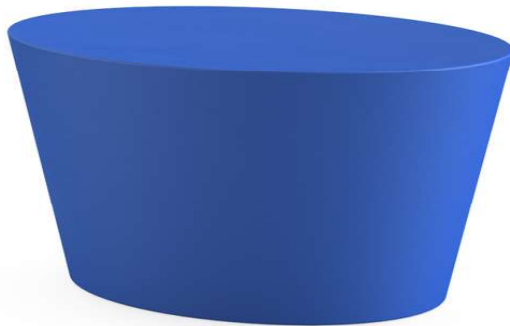
CHILD'S STOOL - ADULT STONE
KNOLL

DESCRIPTION

QUANTITY: 7

SIZE: 27"W x 19"D x 15"H

STYLE: ADULT STONE



LOCATION:

RM 104 - Storytelling
RM 106 - Family/Self Space

FINISH:

CHARTREUSE (3)



BLUE (2)



RED (2)



ARMS: NONE

UPHOLSTERY: NONE



5" ME-DO-IT CHAIR

Community Playthings

DESCRIPTION

QUANTITY: 4**SIZE:** 13"W x 6 1/2"D x 5"H**STYLE:**
5" Me-Do-It Chair [J505]**LOCATION:**
RM 106 - Family/Self Space

FINISH: WOOD

SINGLE FACE TIERED CD BROWSER TABLE

The Worden Company

DESCRIPTION

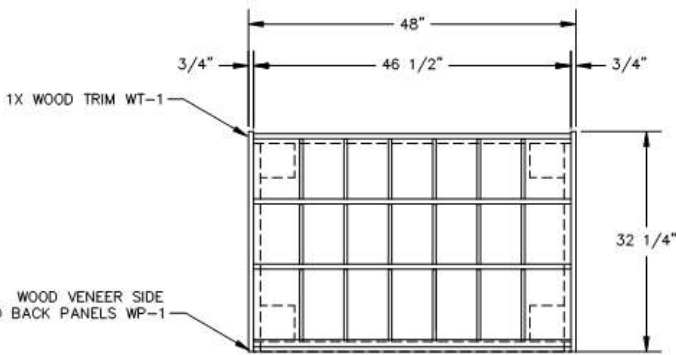
QUANTITY: 2

SIZE: 48"W x 32"D x 44-1/2"H

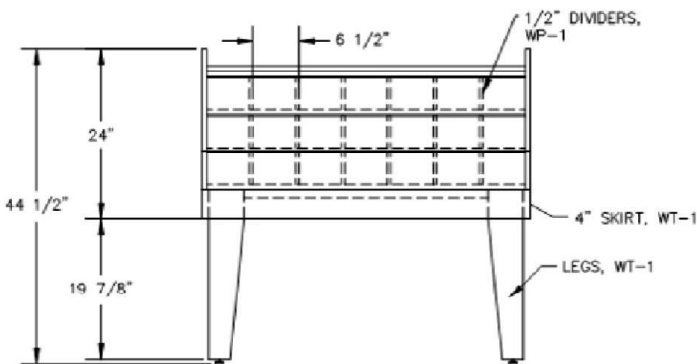
STYLE:

WORDEN COMPANY: TCDB-4832-SF-M MAPLE
 – Single face tiered CD Browser Table

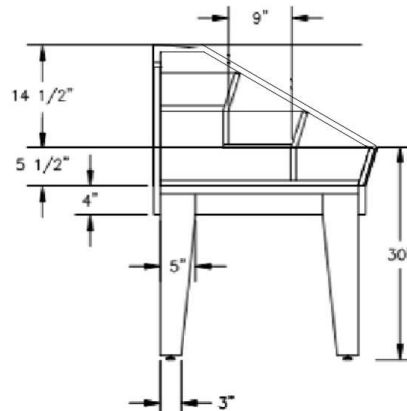
FINISH: Customized in PVI Builders, Inc. - Job #6071 SWD-2 Solid White Maple, "Pickled White Wash" Semi-Gloss Finish to match owner supplied sample.



PLAN



ELEVATION



SECTION

MOLO WALL

Molo



DESCRIPTION

QUANTITY: 4

SIZE: 11.5'W x 6'H

STYLE: White Textile

LOCATION:

RM 106 - Family/Self Space
2nd Floor Atrium



ETCH - MARKER BOARD

Watson



DESCRIPTION

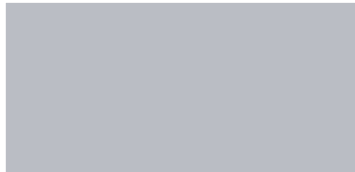
QUANTITY: 3

SIZE: 36"W x 60"H

STYLE: MARKER BOARD
EACH W/ MAGNETIC MICROFIBER CLOTH & CUP

LOCATION:
RM 111 - Homework RM 233 - Meeting Room
RM 210 - Digital Media

LEGS: NATURAL STEEL



BUZZI SKIN - ACOUSTICAL WALL MOUNTED FABRIC

Buzzi Space



DESCRIPTION

QUANTITY: 6 ROLLS

NOTE: INCLUDE INSTALLATION IN SMALL STUDY ROOMS

SIZE: 393.7"L x 38.58"W

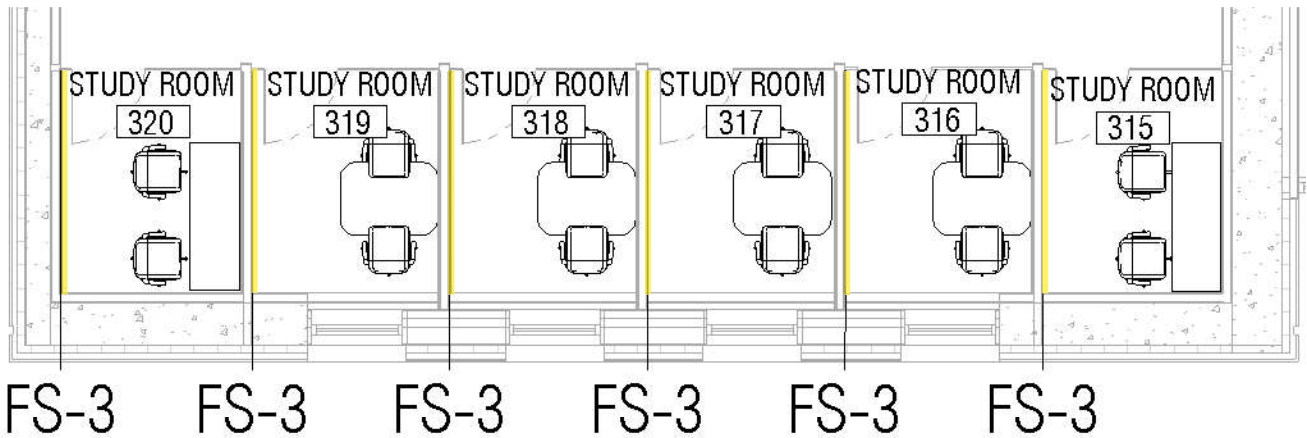
STYLE: Off White 63 Fabric

8' x 9' FLOOR TO CEILING



LOCATION:

RM 315-320 - Study Room



ISLE POWER TOWER

KI

DESCRIPTION

QUANTITY: 4

SIZE: 18"W x 25.5"H

STYLE: ISLE.SX - STARLIGHT SILVER



MEDIA FAST - Technology Accessories

Watson

DESCRIPTION

QUANTITY: 2

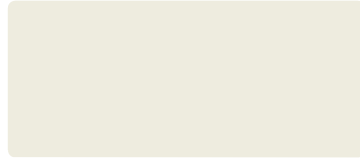
SIZE: 47"W x 11"D x 24"H

STYLE: TMV114724 - Media Fast

LOCATION:

RM 306 - Large Group Study
 RM 208 - Video

FINISH: LAMINATE WHITE - METAL
 LAMINATE WHITE W/ LOOK WIRE
 MANAGEMENT CHANNEL CABLE CANAL 30"



WIRE VERTEBRAE - Technology Accessories

Watson



DESCRIPTION

QUANTITY: 49

SIZE: 22”H

STYLE: TGAVV22 - WIRE VERTEBRAE

LOCATION:

ALL LEVELS

(Refer to T-__ sheets for specific locations)

COLOR: WHITE AT CHILDREN’S, SILVER GREY
ALL OTHER LOCATIONS

WASTE RECEPTACLES

Magnuson Group



DESCRIPTION

QUANTITY: 9 (3 per floor)

SIZE: 26"H x by 36W x 12"D

STYLE: Color: silver

LOCATION:

ALL LEVELS

(Refer to T-__ sheets for specific locations)

FINISH: SILVER



LOUNGE CHAIR - MILLBRAE CONTRACT

Steelcase

DESCRIPTION

QUANTITY: 15

SIZE: 26"W x 30"D x 31"H

STYLE: COMFL1 - Contract Lounge



LOCATION:

- RM 201 - Lobby
- RM 312 - Magazines/Newspapers
- RM 322 - Admin Staff
- RM 323 - Lib. Dir. Office

LEGS: BRUSHED NICKEL

UPHOLSTERY: AVANT-CINNAMON AV119



LOUNGE CHAIR - SWOOP LOUNGE CHAIR

Herman Miller, Inc.

DESCRIPTION

QUANTITY: 38

SIZE: 33"W x 29"D x 32"H

STYLE: 0A200 Swoop Plywood Lounge Chair



LOCATION:

1st Floor: (4) Adobe & (4) Blueberry
 2nd Floor: (6) Horizon Blue & (6) Teal Green
 3rd Floor: (6) Neptune, (6) Blueberry & (6) Navy

LEG:

47 - CHROME



BACK:

OU - WALNUT



FABRIC:

MARVEL:
 1MV11 - ADOBE (4)



COLOR GUARD:
 3P31 - HORIZON BLUE (6)



COLOR GUARD:
 3PB9 - NEPTUNE (6)



MARVEL:
 1MV15 - TEAL GREEN (6)



COLOR GUARD:
 3P08 - BLUEBERRY (10)



COLOR GUARD:
 3P02 - NAVY (6)



LOUNGE CHAIR - SUZANNE LOUNGE

Knoll

DESCRIPTION

QUANTITY: 4

SIZE: 30.5"W x 59"D x27"H

STYLE: 53D1 - Double Lounge Chair

LOCATION:

RM 106 - Family/Self Space
RM 109 - Children's Reading

LEGS:

UPHOLSTERY:

KNOLL - WHIP - TUSCANY
K1386/15



LOUNGE CHAIR - CROSSHATCH LOUNGE CHAIR

Herman Miller, Inc.

DESCRIPTION

QUANTITY: 4

SIZE: 31.25"W x 30.25"D x 28.5"H

STYLE: SESIW - CBK Crosshatch Lounge Chair in Walnut w/ Black Cord

LOCATION:

RM 312 - Magazines/Newspaper



LEGS: WALNUT



SEAT: MAHARAM - LARIAT - BLACK

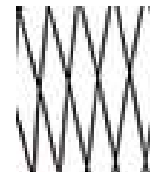


FABRIC:

PALLAS
CARMIN / BLUE MOON
27.242.074



CORD: BLACK



TEEN LOUNGE CHAIR- BERNHARDT MITT

Bernhardt

DESCRIPTION

QUANTITY: 10

SIZE: 22"W x 30"D x 35.25"H

STYLE:
5720L - LOOP MASTER STITCH - BLACK
w/ HANDLE IN BLACK



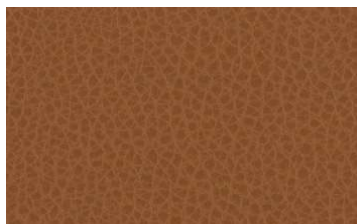
LOCATION:

RM 114 - Children's Marketspace Media in Blood Orange w/ Mustard
RM 206 - Teen Homework in Caravan w/ Black Sea

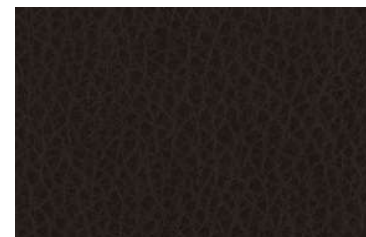
STITCHING: BLACK



UPHOLSTERY:
BERNHARDT IMPRESSION -
CARAVAN 3830-027



HANDLE: BERNHARDT
IMPRESSION -
BLACK SEA 3830-001



UPHOLSTERY:
BERNHARDT ALLUDE II -
BLOOD ORANGE 3812-076



HANDLE: BERNHARDT
ALLUDE II -
MUSTARD 3812-005



LOUNGE CHAIR- EAMES MOLDED PLYWOOD LOUNGE

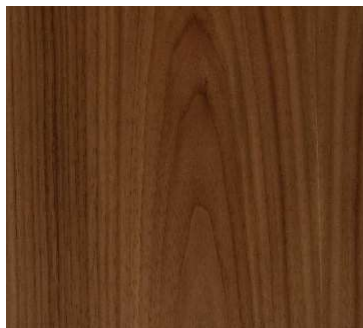
Herman Miller



DESCRIPTION

QUANTITY: 4**SIZE:** 22.25"W x 25.25"D x 26.25"H**STYLE:**EAMES MOLDED PLYWOOD LOUNGE CHAIR
WITH WOOD BASE, UNUPHOLSTERED, WITH
WALNUT FINISH:
LC-W-OU**LOCATION:**

RM-221 2nd Floor Lobby

FINISH: OU-WALNUT

CHILDREN'S PATIO CHAIR - EMIN

LOLL



DESCRIPTION

QUANTITY: 8

SIZE: 18"W x 21.25"D x 31.75"H

STYLE: EMIN DINING CHAIR

LOCATION:
RM 311 - Deck

FINISH: SC-EM-CG CHARCOAL



OUTDOOR TABLE - ALFRESCO 30" SQUARE

LOLL



DESCRIPTION

QUANTITY: 4

SIZE: 30" Square x30"H

STYLE: SKU: AL-ST30-CG

LOCATION:
RM 311 - Deck

FINISH: GREY



TRANSPORT DOLLY - HRDPT - OPT 4 SLED BASE CHAIRS

KI Inc.

DESCRIPTION

QUANTITY: 6

STYLE: 04DA.BL



FOLDING TABLE VERTICAL STORAGE CADDY - TCAD

KI Inc.

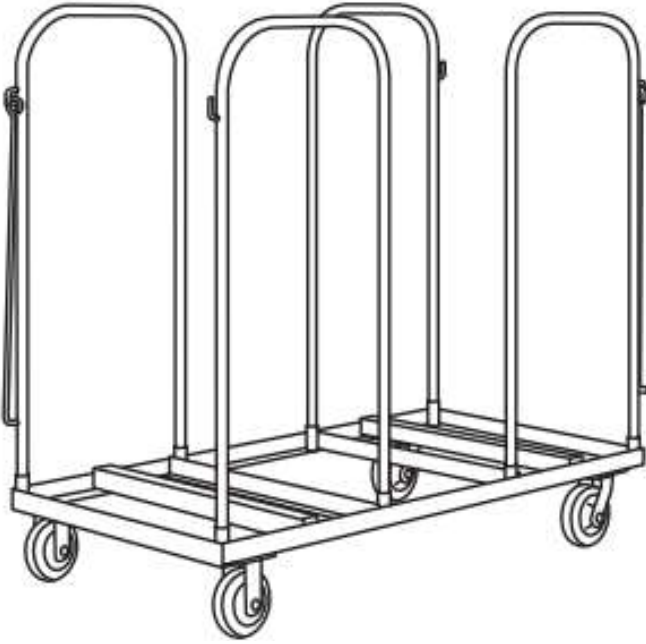
DESCRIPTION

QUANTITY: 7

(4) BTT

STYLE:

BTT - Table Truck - 30"W x 60"L



TONIC SIMPLE TABLE

Watson



DESCRIPTION

QUANTITY: 8

SIZE: 48"D x 96"W x 28.5"H

STYLE:

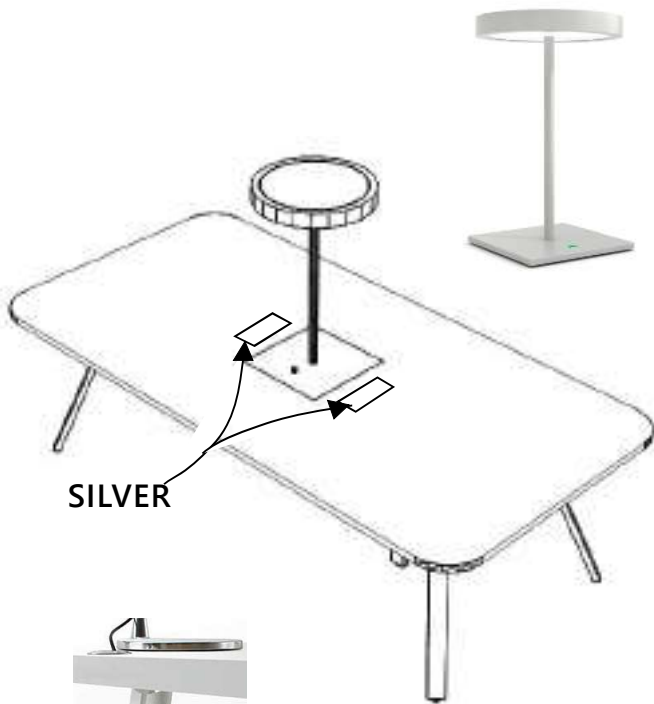
S16-1553-4896-W - Tonic Simple Table, w/ (2) ECA Cove 2 power, 2 charging USB, Silver Pearl, 108" power infeed, on each side of lamp, cutout and support brackets for tonic neighborhood light, centered as per drawing

TCITL151530 - Tonic Neighborhood Light

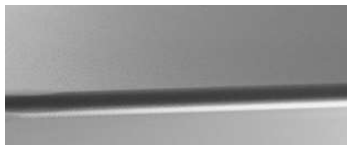
TGAVV22 - Wire Vertebrae, 1 per table

LOCATION:

RM 309 - Main Reading Lounge



LEGS: RAW STEEL



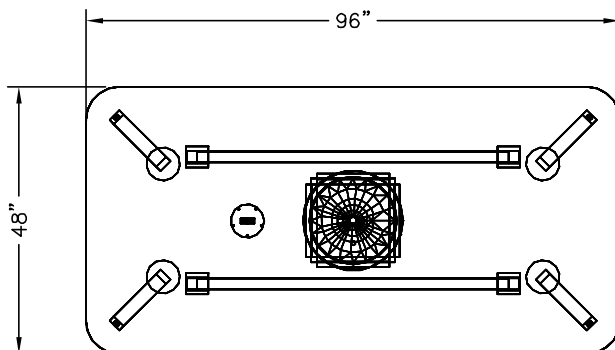
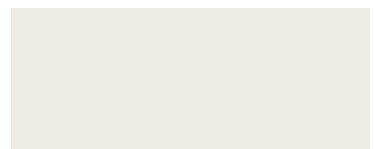
SURFACES: WILSONART ASIAN SAND 7952K-18



TRIM: MULTI-PLY KNIFE EDGE



LAMP: FROSTY WHITE



TONIC SIMPLE TABLE

Watson

DESCRIPTION

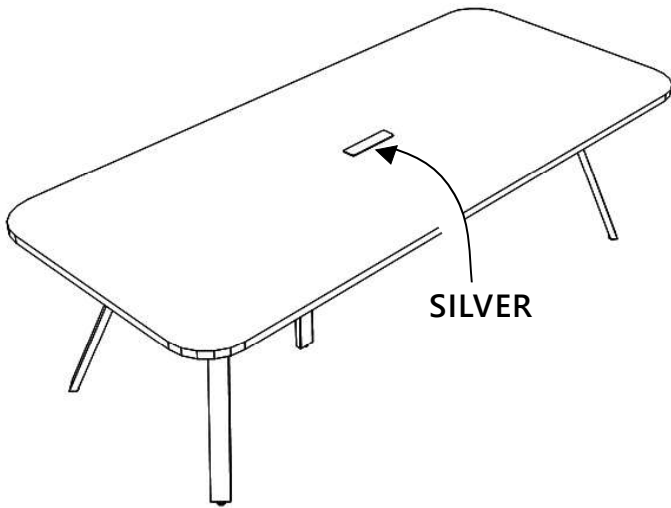
QUANTITY: 1



SIZE: 48"D x 96"W x 28.5"H

STYLE: S16-1554-4896-W Tonic Simple Table w/ ECA Cove, 4 Power, 2 Charging USB, Silver Pearl, 108" power infeed, centered

TGAVV22 - Wire Vertebrae, 1 per table



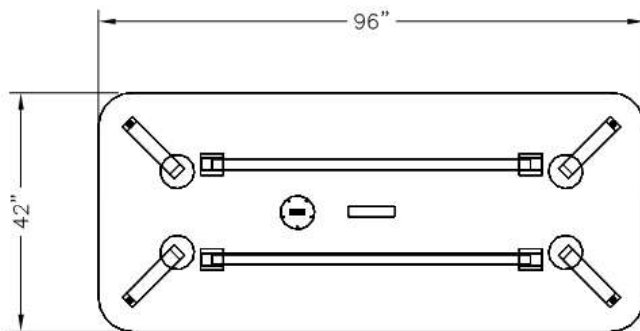
LOCATION:
RM 306 - Large Group Study

LEGS: RAW STEEL

SURFACES: WILSONART
ASIAN SAND 7952K-18



TRIM: MULTI-PLY
KNIFE EDGE



TONIC SIMPLE TABLE

Watson

DESCRIPTION

QUANTITY: 33 (7 w/ power, 26 w/out power)

SIZE: 42" Square 28.5" H

STYLE: S16-1555-424228-W Modified TWTR
 - Tonic Simple Table w/ ECA Cove, 2 power, 2 charging USB, silver pearl, 72" plugin infeed (6 w/ power)

TGAVV22 - (9) Wire Vertebrae, 1 per table

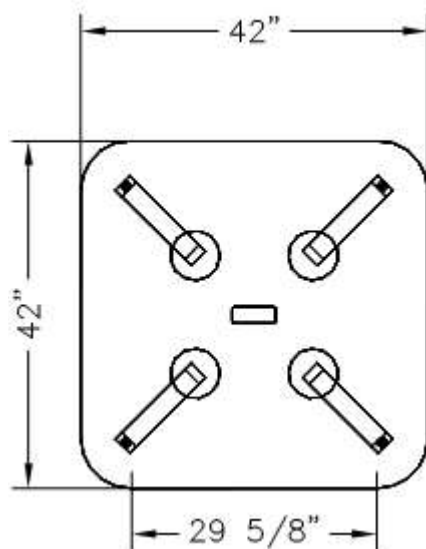
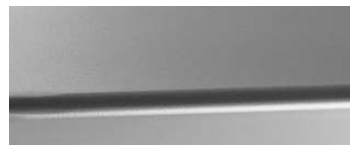
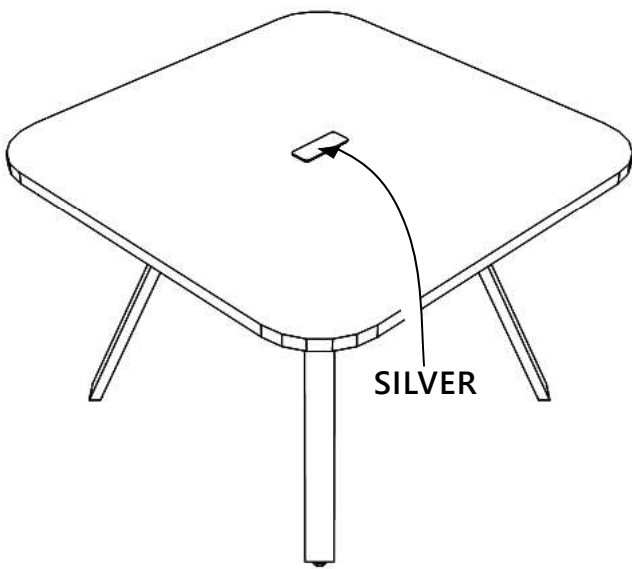
LOCATION:

RM 218 - Staff lounge 3
 Level 3: Public Areas
 RM 316 -319 - Study Room

LEGS: RAW STEEL

SURFACES: WILSONART
 ASIAN SAND 7952K-18

TRIM: MULTI-PLY
 KNIFE EDGE



FLIP UP SEVEN TABLE

Watson

DESCRIPTION

QUANTITY: 2

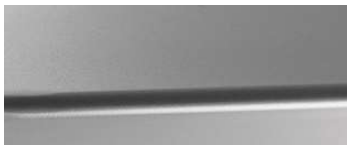
SIZE: 24"D x 72"W x 28.5"H

STYLE:
SMCREI2472-W - Seven Rectangular Multi Purpose inset base w/ Casters

TGAVV22 - Wire Vertebrae, 1 per table

LOCATION:
RM 320/315 - Study Room

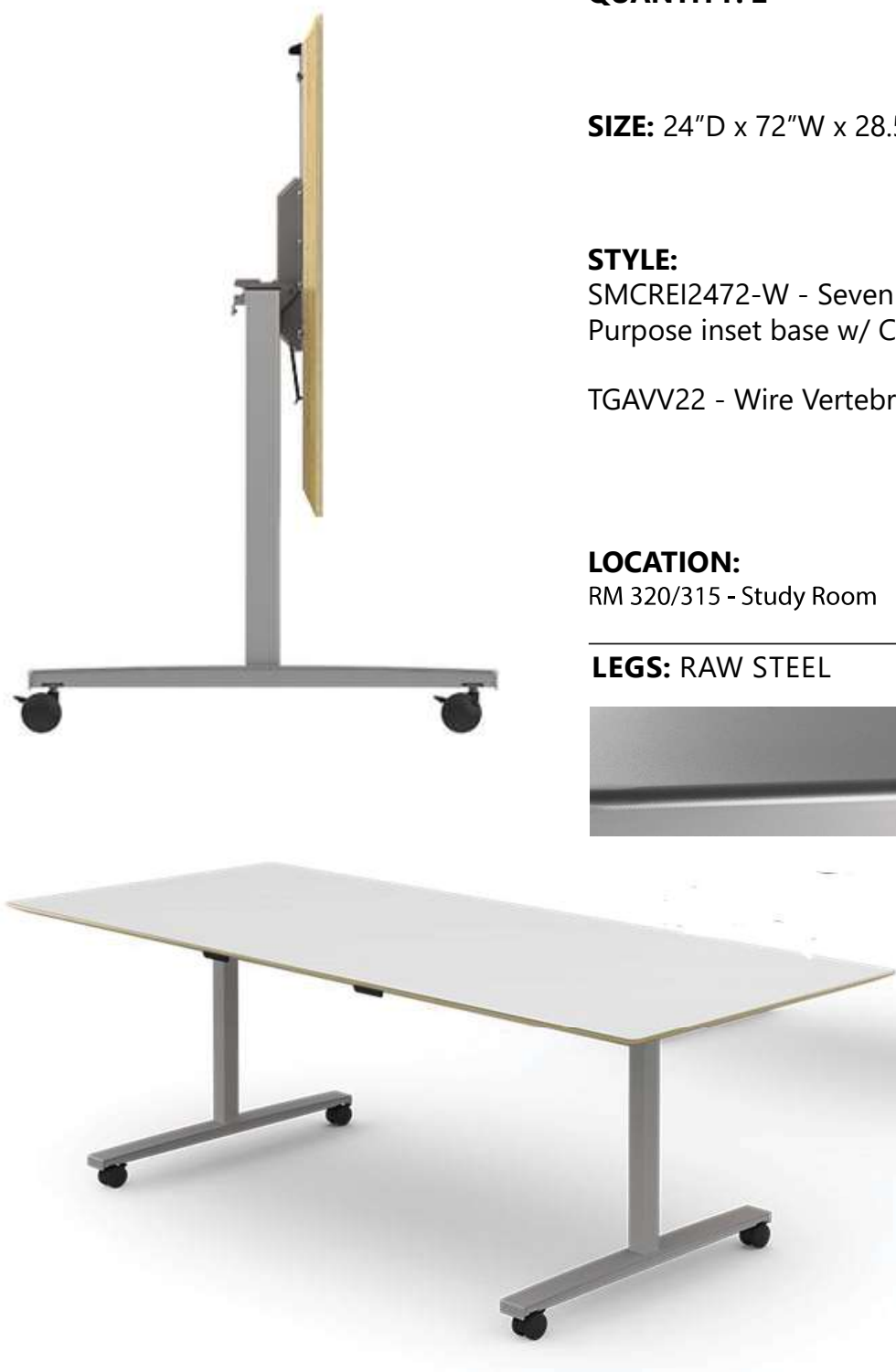
LEGS: RAW STEEL



SURFACES: WILSONART
ASIAN SAND 7952K-18



TRIM: MULTI-PLY
KNIFE EDGE



TONIC SIMPLE TABLE

Watson

DESCRIPTION

QUANTITY: 6

SIZE: 42"D x 72"W x 28.5"H

STYLE: S16-1554-4272-W Modified TWTRE
 - Tonic Simple Table w/ ECA Cove, 4 power, 2 charging USB, silver pearl, 108" plugin infeed

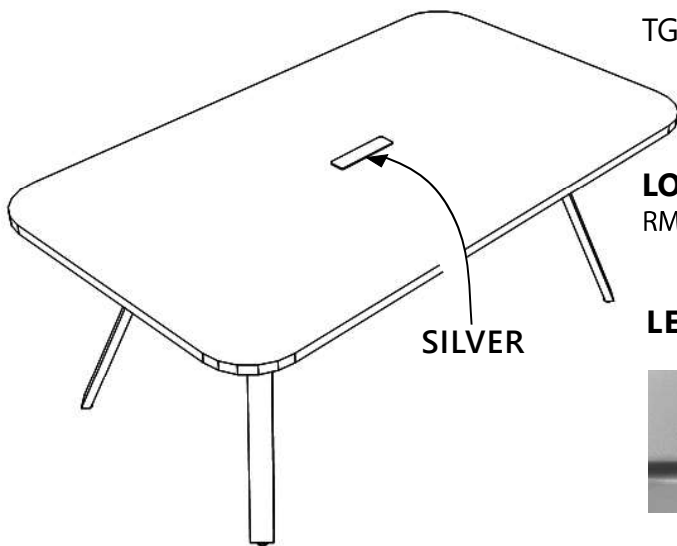
TGAVV22 - Wire Vertebrae, 1 per table

LOCATION:
 RM 303(w/ Power) - Reading Area

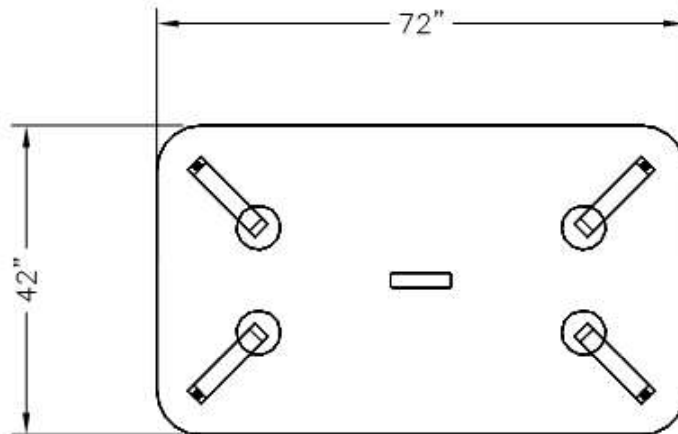
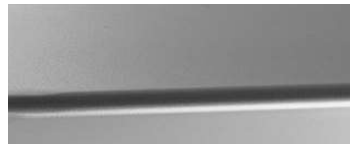
LEGS: RAW STEEL

SURFACES: WILSONART
 ASIAN SAND 7952K-18

TRIM: MULTI-PLY
 KNIFE EDGE



SILVER



TONIC SIMPLE TABLE**Original Timber**

DESCRIPTION

QUANTITY: 2**SIZE:** 36"D x 192"W x 30"H**STYLE:** Custom Original Timber**LOCATION:**

Level 2: Atrium

RM 310 - Reference Collection

LEGS:**SURFACES:** WOOD

TONIC - BENCH

Watson

DESCRIPTION

QUANTITY: 10

SIZE: 53"D x 83"W x 28.5"H

STYLE:

S16-1620-75HH-0-V Modified TCIFD- Tonic Bench
Component Infill, High Density Monitor Mount, Heavy
Power Access, No Screen

TBTUY-28 - End Yoke, 28.5"H

TGAPI - Power infeed

TCIPR75H-S - Heavy Raceway, 75"W heavy power, starter

TBELE0453 - Ailse end, w/ cover, 4"D x 53"W

TBTU5375-28 - Segment, 53"D x 72"W x 28.5"H

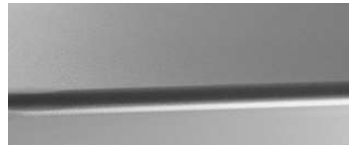
TGAVV22 - Wire Vertebrae, 1 per table

LOCATION:

RM 207 - Public Computers

LEGS: RAW STEEL

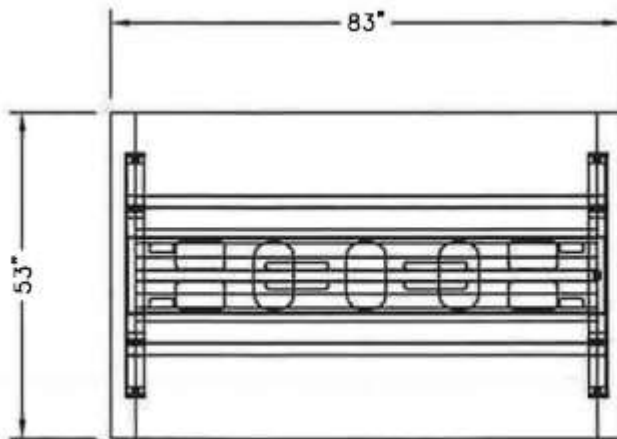
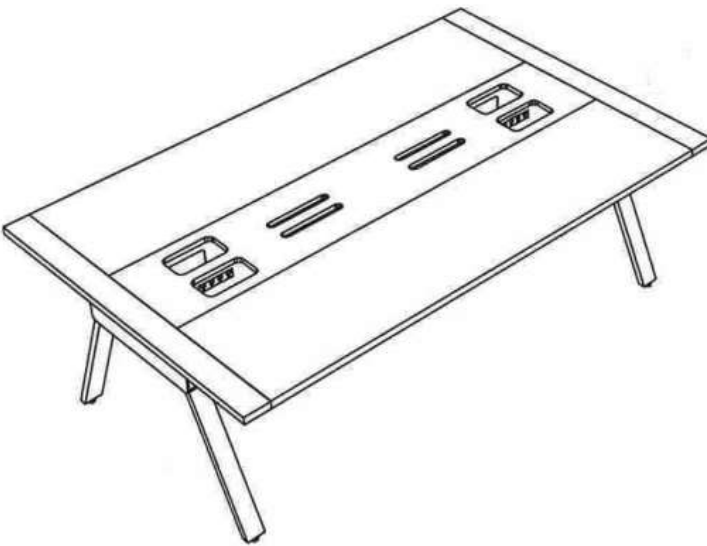
SURFACES: WILSONART
BLONDE ECHO 7939K-18



TRIM: MULTI-PLY
90 EDGE



INFILL PANEL: EH
BLONDE ECHO



TONIC - BENCH

Watson

DESCRIPTION

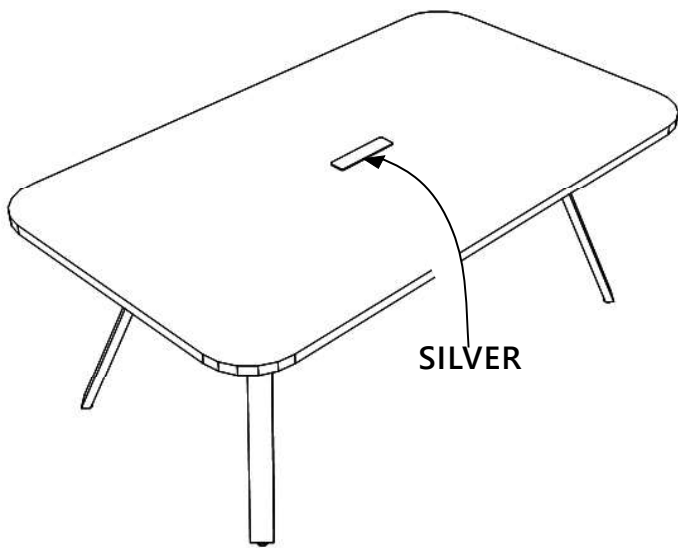
QUANTITY: 5 (3 w/ power, 2 w/out power)

SIZE: 42"D x 72"W x 28.5"H

STYLE:

S16-1553-4272-W Modified TWTR - Tonic Simple Table w/ ECA Cove, 4 power, 2 charging USB, silver pearl, 108" plugin infeed (3 w/ power, 2 w/out power)

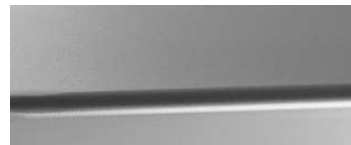
TGAVV22 - Wire Vertebrae (3), 1 per each powered table



LOCATION:

Level 2: Public Area

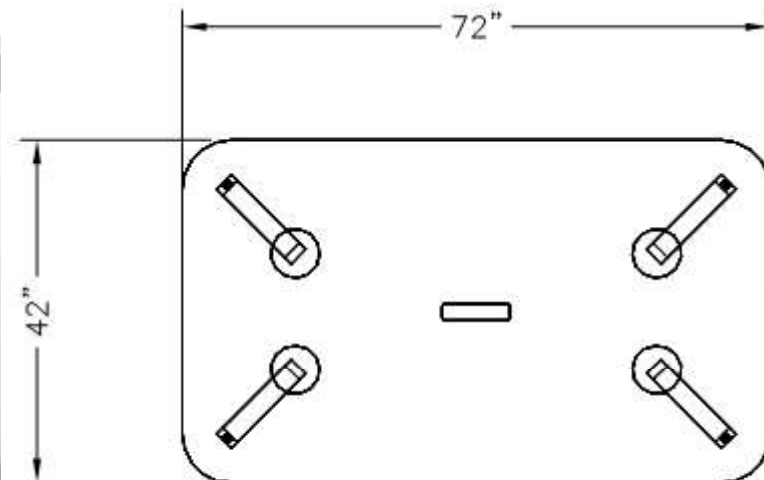
LEGS: RAW STEEL



SURFACES: WILSONART
BLONDE ECHO 7939K-18



TRIM: MULTI-PLY
KNIFE EDGE



TONIC SIMPLE TABLE

Watson

DESCRIPTION

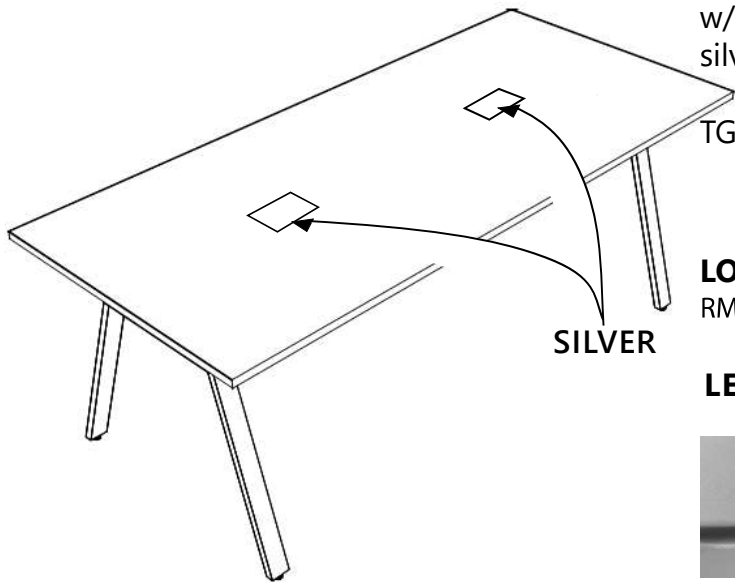
QUANTITY: 3

SIZE: 42"D x 96"W x 39"H

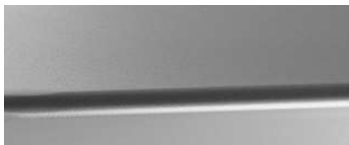
STYLE: S16-1553-4272-W Modified TWTRE - Tonic Simple Table
w/ (2) ECA Cove, 4 power, 2 charging USB, silver pearl, 108" plugin infeed

TGAVV22 - Wire Vertebrae, 1 per table

LOCATION:
RM 214 - Copiers



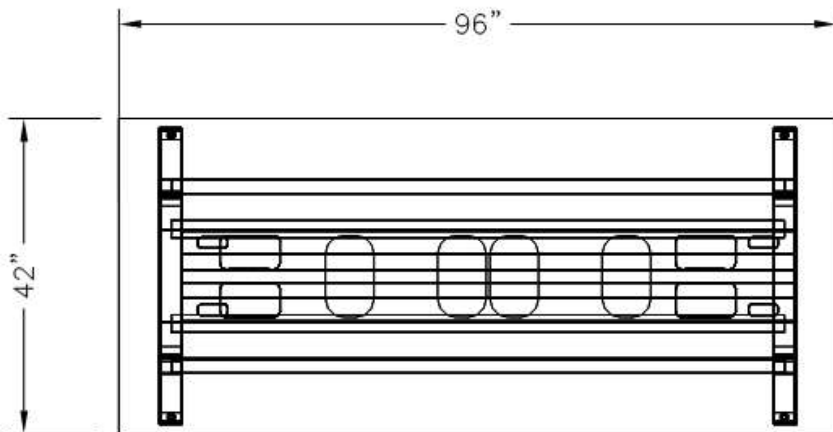
LEGS: RAW STEEL



SURFACES: WILSONART
BLONDE ECHO 7939K-18



TRIM: MULTI-PLY
KNIFE EDGE



SEVEN FLIP TABLE

Watson

DESCRIPTION

QUANTITY: 18

SIZE: 24"D x 96"W x 28.5"H

STYLE:

SMFREF2496-W EH-ZE - Seven Flip Table w/ Casters

RM 215 - Computer Lab Tables - (8)

SECL4CSP - ECA silver power strip

TGAVV22 - Wire Vertebrae, 1 per table

WAWH81 - Accessory 81" wire Manager

WAFMA1287 - Modesty Panel - Acrylic Frosted w/ data

WAGDX - Under Surface Ganging Clips

RM 210 - Digital Lab - top in Blonde Echo (8)

SECL4-I-4C-72-K- at wall power/data, 1 per table

No Modesty Panel

RM 327 - Literacy Computer Lab - top in Asian Sand (2)

SECL4-I-4C-72-K- at wall power/data, 1 per table

No Modesty Panel

LOCATION:

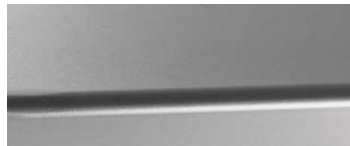
RM 215 - Computer Lab - top in Blonde Echo (8)

RM 210 - Digital Lab - top in Blonde Echo (8)

RM 327 - Literacy Computer Lab - top in Asian Sand (2)

RM 327 - LITERACY (2)

LEGS: RAW STEEL



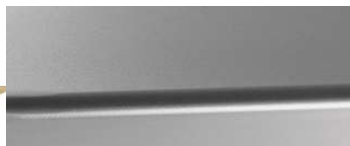
SURFACES: WILSONART

ASIAN SAND 7952K-18



RM 215/RM210 - LABS (20)

LEGS: RAW STEEL



SURFACES: WILSONART

BLONDE ECHO 7939K-18



TRIM: MULTI-PLY

KNIFE EDGE



SEVEN FLIP TABLE

Watson

DESCRIPTION

QUANTITY: 2

SIZE: 36"D x 72"W x 28.5"H

STYLE:
SMFREF 3672-W EH ZE -Seven Flip Table w/
Casters and Inset Base
w/ (2) ECA Cove, 4 power, 2 charging USB,
silver pearl, 108" plugin infeed

TGAVV22 - Wire Vertebrae, 1 per table

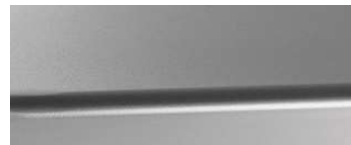
LOCATION:

RM 208 - Video

RM 211 - Audio

RM 123 - Mail Sorting

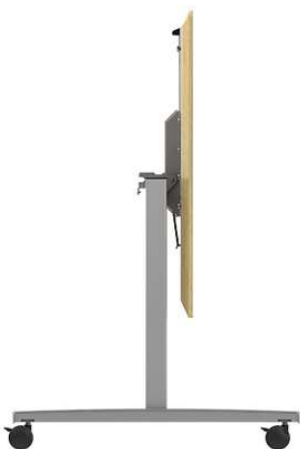
LEGS: RAW STEEL



**SURFACES: WILSONART
BLONDE ECHO 7939K-18**



**TRIM: MULTI-PLY
KNIFE EDGE**



SEVEN FLIP TABLE

Watson

DESCRIPTION

QUANTITY: 2

SIZE: 24"D x 66"W x 28.5"H



STYLE:

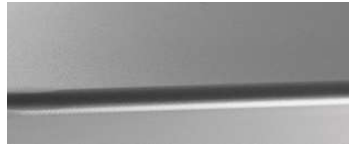
SMFREF2466- W EH-ZE - Seven Flip Table w/
Casters

SECL4-I-4C-72-K - at wall power/data, 1 per
table

LOCATION:

RM 327 - Literacy Computer Lab

LEGS: RAW STEEL



SURFACES: WILSONART
ASIAN SAND 7952K-18



TRIM: MULTI-PLY
KNIFE EDGE



PILLAR TABLE

KI Inc.



 DESCRIPTION

QUANTITY: 4

SIZE: Pillar Sprocket - 30"D x 29"H (2)
 Pillar 120 - 30"D x 29"H (2)

STYLE:

PLSP30L3-74P / NNN:NMP (2)
 PILLAR, SPROCKET, 29H, 30

PL12030-74/NNN:NMP (2)
 PILLAR, 120, 29H, 30

LOCATION:

RM 206 - Teen Homework

**LEGS: STARLIGHT SILVER SURFACES: WILSONART
 METALLIC-CHIP-PNT-SX BLONDE ECHO 7939K-18**



**TRIM: KENSINGTON
 MAPLE 74P-KM**



PORTICO

KI Inc.

DESCRIPTION

QUANTITY: 20**SIZE:**

PL255ST 30" x 60" (20)

STYLE:

PL255ST - Lightweight Folding Leg
 Rectangular T-Base
 w/ Lightweight honeycomb top
 Table weight: 61lbs

LOCATION:

RM 202 - Community Meeting Room

LEGS: CHF - CHROME**SURFACES: WILSONART
BLONDE ECHO 7939K-18****TRIM: KENSINGTON
MAPLE 74P-KM**

ROUND FOLDING TABLES

Mity Lite

DESCRIPTION

QUANTITY: 20

SIZE:

RDP - 60" Round (20)

STYLE:

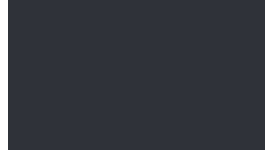
Madera Laminate Tables 60" Round Folding Table
 60 W - Wishbone Legs
 Table weight: 66lbs



LOCATION:

RM 202 - Community Meeting Room

**POWER COATED LEG
 FINISH: BLACK SAND**



SURFACES: FUSION MAPLE



**EDGE TRIM:
 BLACK**



MAKER TABLE

3Branch

DESCRIPTION

QUANTITY: 6

SIZE:

66"W x 36"D x 36"H (4)

48"W x 24"D x 29"H (2)

STYLE:

MK-663636-LIN - Standing Ht. (4)

MK-482429-LIN - Seating Ht. (2)

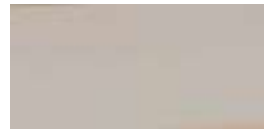
LOCATION:

RM 233 - Maker Space



LEGS: STAINLESS STEEL
W/ CASTERS

SURFACE: REVERSIBLE TOP
LINOLEUM INSET TOP
(COLOR-PEBBLE)



EDGE: BAMBOO



SEVEN FLIP TABLE

Watson

DESCRIPTION

QUANTITY: 12

SIZE: 30"D x 60"W x 28.5"H

STYLE:

SMFREF3060-W EH FJ - (8) Seven Flip w/ Casters

SMFREF3060-W EH ZE - (4) Seven Flip w/ Casters

WAGDX - (4) w/ under surface ganging clips

LOCATION:

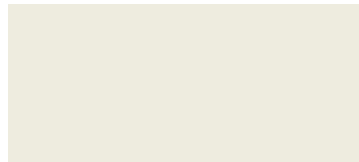
RM 111 - Children Homework - Legs in Frosty White (8)

RM 236 - Meeting Room C - Legs in Raw Steel (4)

RM 111: CHILDREN'S HOMEWORK (8)

LEGS: FROSTY WHITE

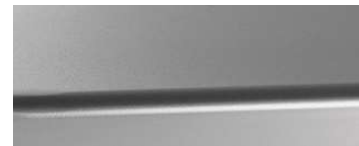
SURFACES: WILSONART
BLONDE ECHO 7939K-18



RM 236: MEETING RM C - W/ GANGING CLIPS (4)

LEGS: RAW STEEL

SURFACES: WILSONART
BLONDE ECHO 7939K-18



TRIM: MULTI-PLY
KNIFE EDGE



SEVEN TRAPEZOID FLIP TABLE

Watson



DESCRIPTION

QUANTITY: 6

SIZE: 30"D x 60"W x 28.5"H

STYLE:

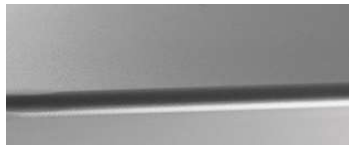
SMFTRI 3060-W EH ZE - (4) Seven Flip w/ Casters
 WAGDX - (4) w/ under surface ganging clips

LOCATION:

RM 236 - Meeting Room C

LEGS: RAW STEEL

**SURFACES: WILSONART
 BLONDE ECHO 7939K-18**



**TRIM: MULTI-PLY
 KNIFE EDGE**

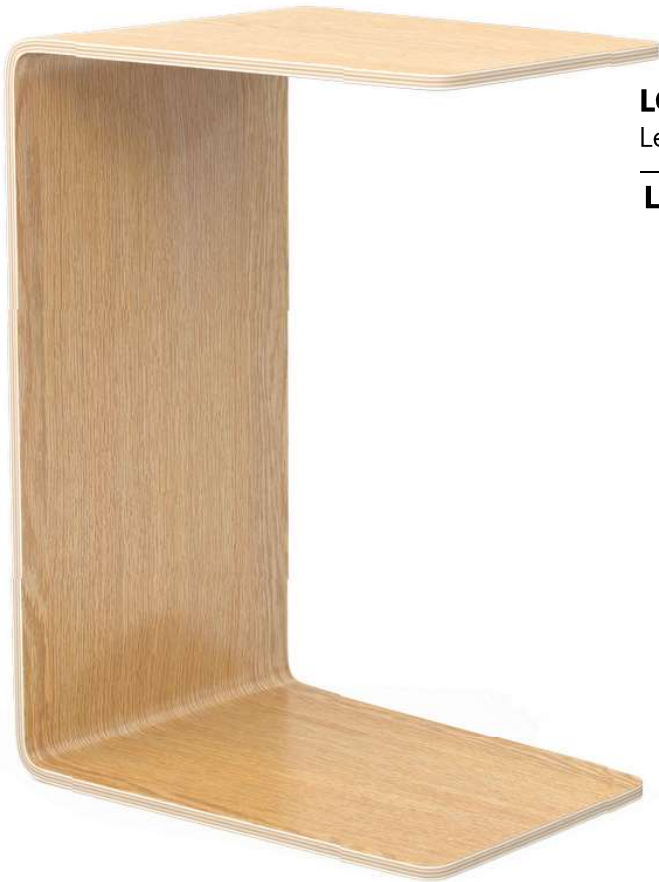


CAMPFIRE - PERSONAL TABLE**Knoll**

DESCRIPTION

QUANTITY: 5**SIZE: 19.5"D x 14"W x 26"H****STYLE: Campfire Personal Table****LOCATION:**

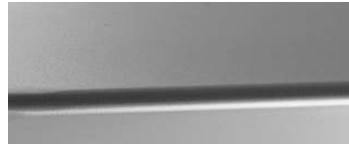
Level 3: Public Areas

LEGS: NONE**SURFACES: PLYWOOD**

SEVEN ROUND TABLE

Watson

DESCRIPTION

QUANTITY: 7**SIZE:** 35"ROUND x 29"H**STYLE:**
STRND 3535-29 - W EH ZE - Round Meeting
Table**LOCATION:**
RM 148/149 - Cafe**LEGS: RAW STEEL****SURFACES: WILSONART
BLONDE ECHO 7939K-18****TRIM: MULTI-PLY
KNIFE EDGE**

ATHENS TABLE

KI



 DESCRIPTION

QUANTITY: 3**SIZE:** 36" Round. 27"-44.75" Adjustable Ht.**STYLE:**

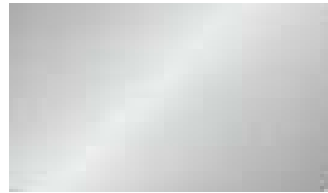
AH3R36ACH - 36" Round, 3" Column - Adj. Ht.

Base: Tapered Flat Base (AH3)

Edge: Flat Edge (74P-KM)

LOCATION:

RM 206 - Teen Homework

LEGS: CHROME BASE**SURFACES: WILSONART
BLONDE ECHO 7939K-18****TRIM: KENSINGTON
MAPLE 74P-KM**

NOGUCHI RUDDER TABLE

Herman Miller Inc.

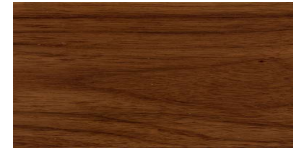
DESCRIPTION

QUANTITY: 1**SIZE:** 50" W x 35.5" D x 15.75"H**STYLE:**

IN52 - OU - 47

LOCATION:

RM 323 - Lib. Dir. Office

BASE FINISH:
47 CHROME**TOP FINISH:**
OU WALNUT

SWOOP - COFFEE TABLE

Herman Miller Inc.



 DESCRIPTION

QUANTITY: 10**SIZE:** 16" Round x 16"H**STYLE:**
OA30B.16-L-BU-47**LOCATION:**
RM 109 - Children's Reading (2)
RM 207 - Public Computers (2)
RM 309 - Main Reading Lounge (4)
RM 218 - Staff Lounge (2)**BASE FINISH:**
47 CHROME**TOP FINISH:**
BU - BLACK UMBER

SWOOP - BOX TABLE

Herman Miller Inc.

DESCRIPTION

QUANTITY: 12**SIZE:** 25" Square x 16.5"H**STYLE:**

OA301. L-BU-2U

Power module

LOCATION:

RM 107 - Picture/Easy Readers (4)

RM 322 - (1)

RM 147 Marketplace/Books (1)

RM 201 - Lobby (4)

RM 312 Magazine/Newspapers (4)

LEGS: BU BLACKUMBER TOP FINISH:**2U LIGHT BROWN WALNUT**

CLASSROOM ROUND TABLE

Community Playthings

DESCRIPTION

QUANTITY: 1

SIZE: 36" ROUND

STYLE:

36" Classroom Round Table [A825]
12" Wood Legs

LOCATION:

RM 106 - Family Space

LEGS: WOOD

SURFACES: WOOD



SIDE TABLE - Piton

Knoll

DESCRIPTION

QUANTITY: 8

SIZE: 16.25"W x 16.25"D x 21.25"H

STYLE: Piton Side Table



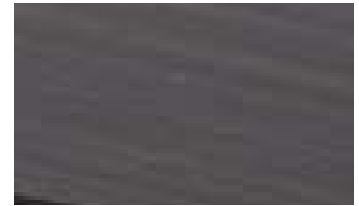
LOCATION:

Level 1: Children's

LEGS/BASE: STERLING

SURFACES:

BO21T-AE - EBONIZED ASH



TONIC SIMPLE TABLE

Watson

DESCRIPTION

QUANTITY: 10**SIZE:**

48" Round x 27"H (8)

48" Round x 23"H (2)

STYLE:

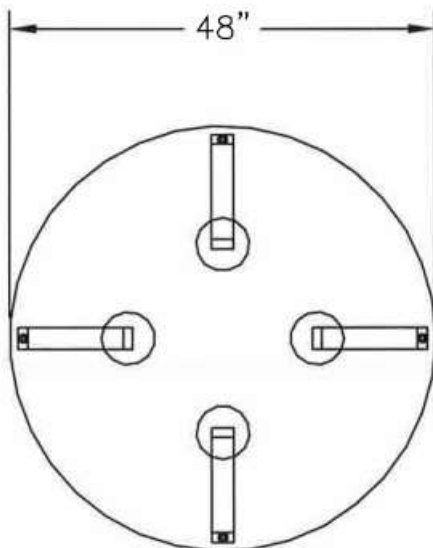
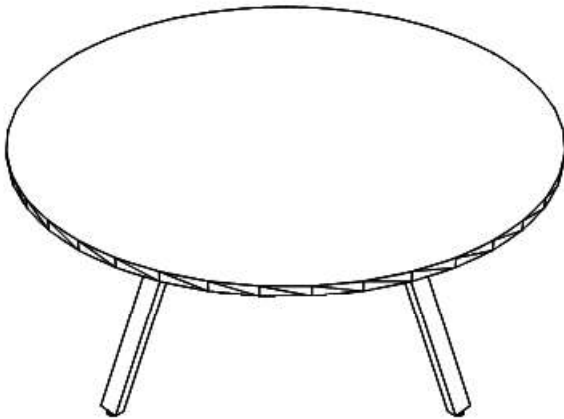
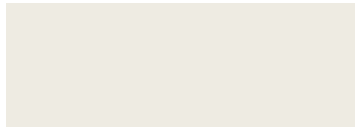
TWTRO4827 W EH FJ - (8) TONIC SIMPLE Round 27"H

TWTRO4827 W EH FJ - (2) TONIC SIMPLE Round 23"H

LOCATION:

RM 107 - Picture Books/Easy Readers - (2) 23" H

RM 109/114 Children's Reading/ Marketplace- (5+) 27"H

**LEGS:** FROSTY WHITE**SURFACES:** WILSONART
BLONDE ECHO 7939K-18**TRIM:** MULTI-PLY
KNIFE EDGE

TONIC - BENCH

Watson

DESCRIPTION

QUANTITY: 2

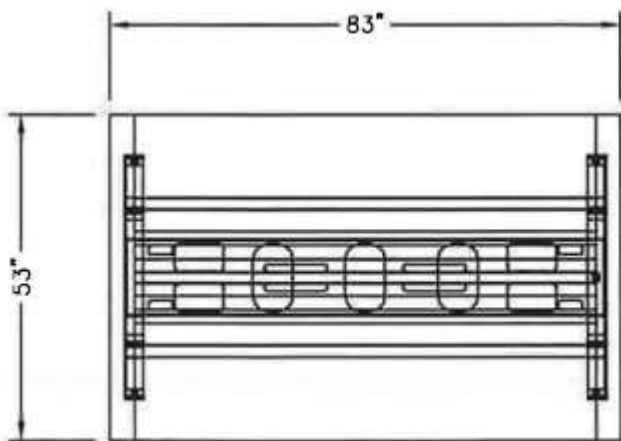
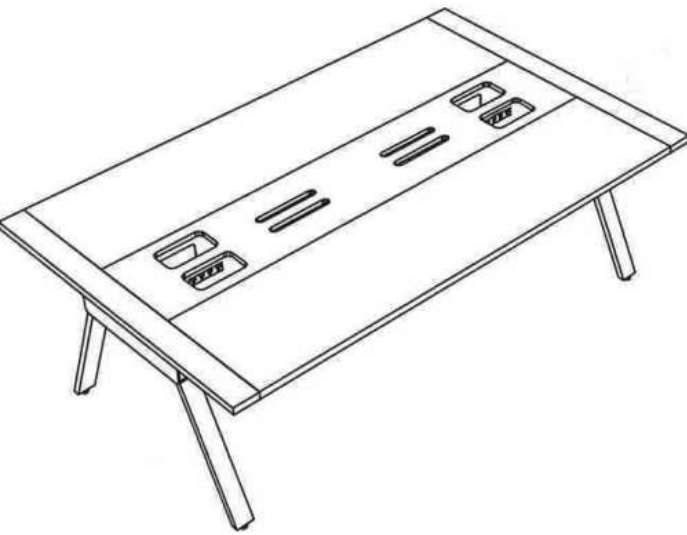
SIZE: 53"D x 83"W x 27"H

STYLE: S16-1620-75HH-0 V Modified TCIFD- Tonic Bench Component Infill 75"W, High Density Monitor Mount, Heavy Power Access, No Screen

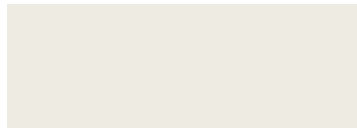
- S16-1558-27 - Modified TBTU End Yoke, 27"H
- TGAPI - Power infeed
- TGAVV22 - Wire Vertebrae per table
- TCIPR75H-S - Heavy Raceway, 75"W heavy power, starter
- TBELE0453 - Ailse end, w/ cover, 4"D x 53"W
- S16-1557-5375-27 - Segment, 53"D x 72"W x 28.5"H

LOCATION:

RM 108 - Children's



LEGS: FROSTY WHITE



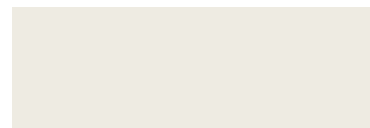
SURFACES: WILSONART
BLONDE ECHO 7939K-18



TRIM: MULTI-PLY 90 EDGE



INFILL PANEL: FROSTY WHITE



TONIC SIMPLE TABLE

Watson

DESCRIPTION

QUANTITY: 2

SIZE: 60" Round x 23"H

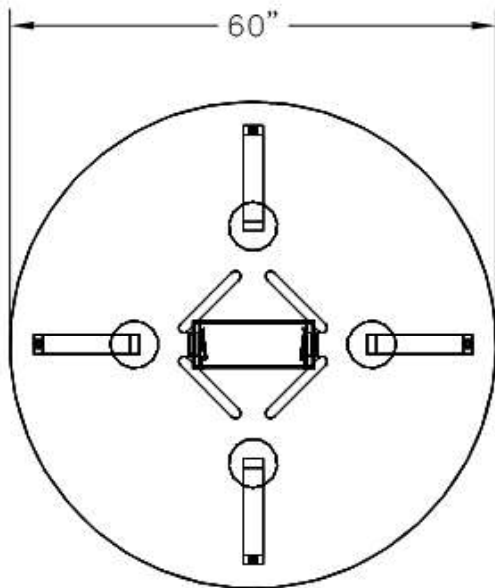
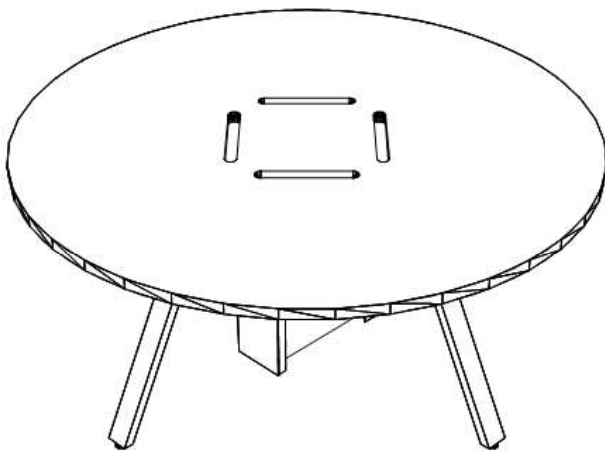
STYLE: S16-1562-6025 W EH FJ - Modified TWTRO - TONIC SIMPLE Round w/ 4" monitor mounted cutouts as per drawing TGAVV22 - Wire Vertebrae per table

LOCATION:
RM 108 - Children's

LEGS: FROSTY WHITE

**SURFACES: WILSONART
BLONDE ECHO 7939K-18**

**TRIM: MULTI-PLY
KNIFE EDGE**



CUSTOM DESIGN INTERACTIVE**Burgeon Group**

DESCRIPTION

CUSTOM INSTALLATION**SIZE:** Tower height is 11'8"**STYLE:** Custom early childhood interactive furnishing installation with Magnetic Wall, Ball Run, Whirligig, Starbursts, Alphabet and Numbers, Garden Interpretives, etc. Hardwood construction with cast multicolor translucent resin and embedded items.**LOCATION:** Room 106 - Children/Family